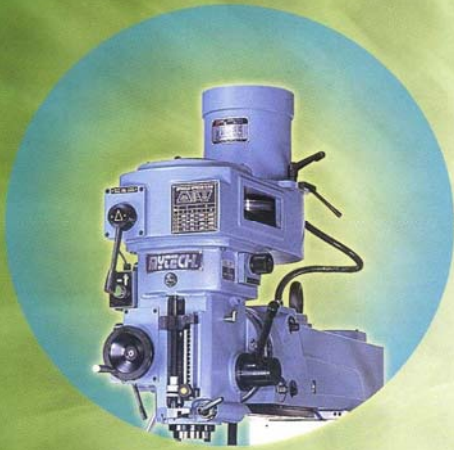


MUTECH[®]
ELEGANCE IN TECHNOLOGY

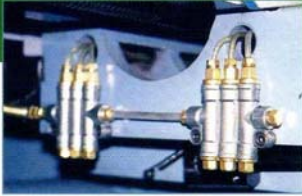
SZ-2800VD / 2800VSD



MILLING MACHINE SYSTEM

Make Your Investment A Wise One

SZ-2800VD / SZ-2800VSD System



Lubrication oil control valve

Pressure-reserved lubrication oil control valves are installed as standard to control lubrication oil supply as even as possible to ballscrew, Gear and 3 axes.



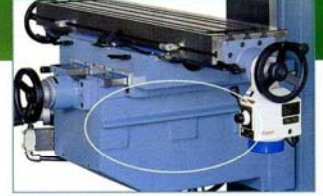
Quality inspection equipment

German-made 3D coordinate measuring machine is employed in our machine shop. All precision components and parts are precisely inspected.



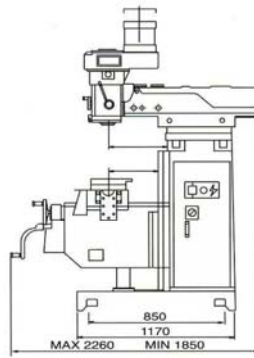
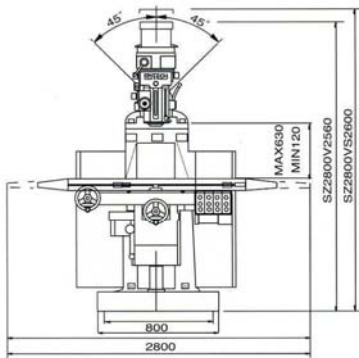
Precision ball screw

Pre-loaded with double nuts C5 class precision ballscrew is installed on X & Y axes ensuring the transmission quality- small backlash & fine positioning.



Optical scale protection

Protection design on optical scale is built-in from the design stage. It provides the collision & watering free from the scales during the cutting.



Standrd Accessories

1. Draw bar. (manual)
2. Tool box and tools.
3. Chip cover on y axis. (rubber)
4. Working light
5. Tapping equipment of spindle
6. X axis servo motor

Optional Accessories

1. Draw bar. (pneumatic)
2. Elevating deep equipment of spindle
3. Y axis servo motor
4. Coolant system
5. Chip cover on y axis (stainless)
6. Table splash guard
7. Digital readout
8. CE regulation



High rigidity machine structure

FC30 & FCD45 are materialized on machine frame structure. All frames are compulsorily by tempering treatment to reduce the inner stress. It ensures the features of the highest resistance, deformation-free and highest rigidity. With enforced ribs design, the harmonious vibration during cutting is absolutely minimized. All machine life can be prolonged accordingly.

Specification		SZ-2800VD	SZ-2800VSD
Main Spindle	Spindle speed	75~3600rpm 16 speed	60~3600rpm variable speed
	Spindle taper	NST #40	NST #40
	Swive angle of head	45° (R&L)	45° (R&L)
	Overarm travel	550mm	550mm
	Quill travel	140mm	140mm
	Distance of spindle to table	0 ~ 630mm	0 ~ 630mm
	Distance of spindle center to column surface	165 ~ 615mm	165 ~ 615mm
	Quill feed per revolution of spindle	0.035/0.07/0.14mm (a circe)	0.035/0.07/0.14mm (a circe)
Table	Working table area (LxW)	1350 x 305mm	1350 x 305mm
	Longitudinal travel manual/auto	800mm	800mm
	Cross travel	450mm	450mm
	Vertical travel of knee	450mm	450mm
	T-slots	16 x 3 x 63mm	16 x 3 x 63mm
	Cutting federate (X)	0 ~ 1500mm / min	0 ~ 1500mm / min
	Rapid traverse (X)	3000mm / min	3000mm / min
	Table elevating speed	1150mm / min	1150mm / min
Motor	Main spindle	3.7kw (5HP)	3.7kw (5HP)AC
	Table elevating	0.75kw (1HP)	0.75kw (1HP)
	Lubricating pump	150w	150w
	Electromagnetic pump	40w	40w
Machine Weight & Packing	Machine measurement(LxWxH)	2050 x 2300 x 2560mm	2050 x 2300 x 2600mm
	Packing measurement(LxWxH)	1900 x 1500 x 2300mm	1900 x 1500 x 2300mm
	Net weight	2800kgs	2830kgs
	Gross weight	3200kgs	3300kgs

• All specification , dimension and design characteristics shown in this catalogue are subject to change without notice.

MYTECH
ELEGANCE IN TECHNOLOGY

SHOU ZUAN PRECISION MACHINE CO., LTD.

No.3, Alley 76, Lane 283, Shui Yuan Rd., Fong Yuan City, Taichung Hsien, Taiwan.

Tel:886-4-25150719 / 886-4-25243902 / Fax:886-4-25632838

Website: www.mytech-cnc.com